

EU Declaration of Conformity No. SAR/Q001



Specialist Access & Rescue
Products Ltd.

This declaration of conformity is issued by Specialist Access & Rescue Products Ltd.
Of Sarena House, Vulcan Street, Oldham, OL1 4LQ

We hereby declare that:

Equipment: SAR Quad
Models: Quadpod

is in conformity with PPE EU Regulations 2016/425, as well as the applicable requirements of
the following standards (where applicable)

Ref No.

EN795:2012 Type-B
PD CEN/TS 16415:2013 Type B

Notified body: SGS FIMKO OY, Takomotie 8, FI-00380 Helsinki, Finland.
Notified Body No: CE 0598

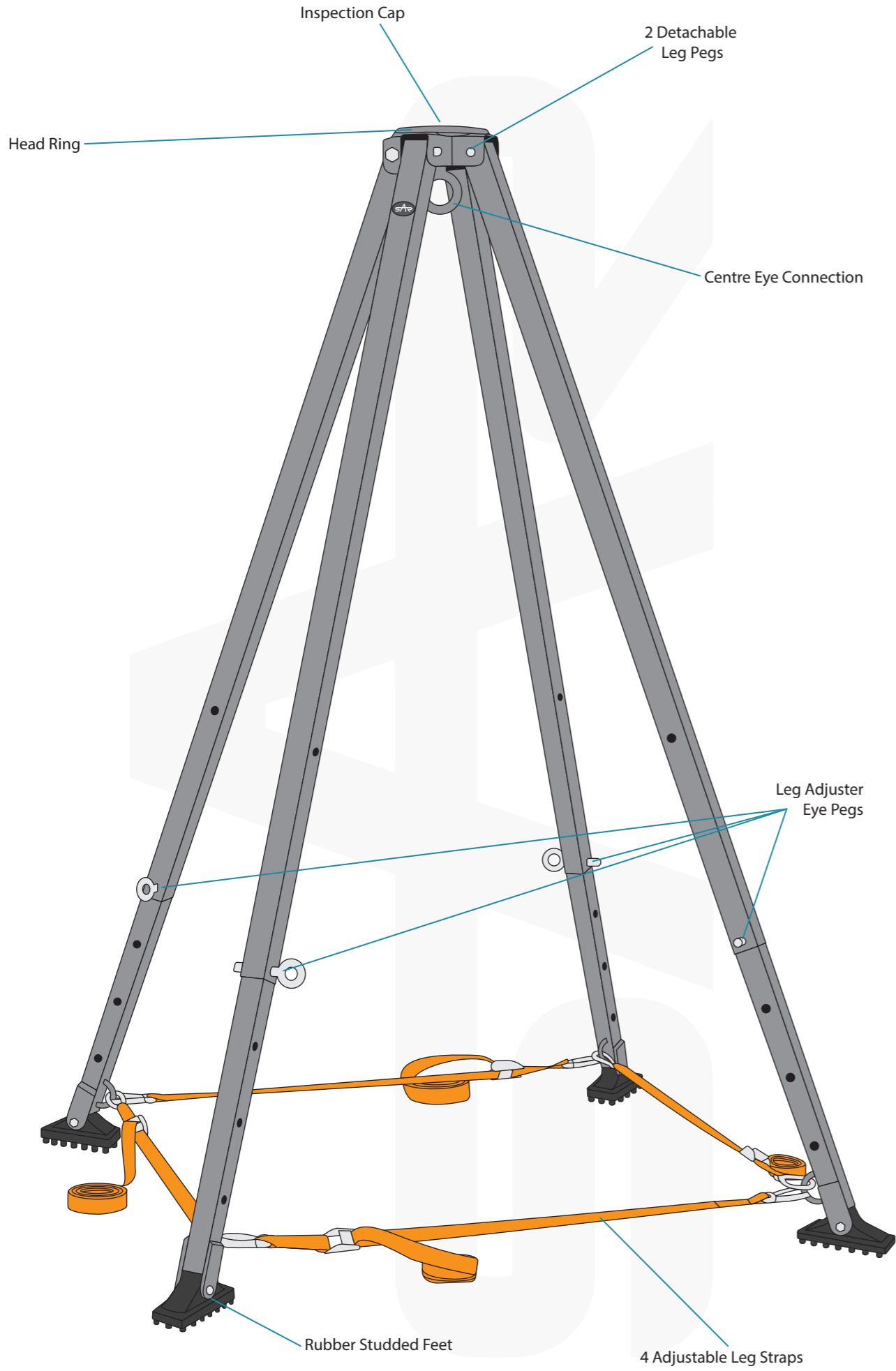
Performed the EU type examination and issued the module B EU type examination certificate(s):

GB19/963976

The PPE is subject to the conformity assessment procedure. Conformity to type Based on Quality Assurance of the Production Process Module D. Under the surveillance of the above Notified Body.

Signed by:

Name: Lee Allport
Position: Operations Director
Done At: SAR Products - Sarena House, Vulcan Street, Oldham, OL1 4LQ
On: 30/09/19



Product Record

This documentation should be issued with and kept for each item or system. Please see the product label for the details required below. Consult this guide for advice on inspection, maintenance, lifespan, etc.

User's Name:		Date Of Purchase:	Product Serial No.:	
Date Of Manufacture:				
Date First Used:				
Inspection Record				
Date	Reason for entry: Periodic examination or repair	Name of Inspector	Next date of Inspection	

Declaration Of Conformity

The EU Declaration of conformity is available by scanning the QR code or visiting - www.sar-products.com/eu-doc/



Certificate Of Conformity

We certify that the Quadpod conforms to EN796:2012 Type B & CEN/TS 16415:2013 Type B. Other components used with this product must conform to the relevant EN standards.

Signature:..... For SAR Products Ltd

Specialist Access & Rescue Products Ltd.
Sarena House, Vulcan Street, Oldham, OL1 4LQ
+44(0) 161 621 0309 | sales@sar-products.com | www.sar-products.com



User Guide:
Quadpod



Conforms to:
EN795:2012 Type B & CEN/TS 16415:2013 Type B

CE0598

sar-products.com
+44 (0) 161 621 0309
sales@sar-products.com

The SAR Quadpod conforms to:

CE 0598, EN795:2012 Type B for a one person load centre eye and outside ring.

CEN/TS 16415:2013 Type B for a 2 person load outer ring only.

CEN/TS 16415:2013 Type B for a 4 person load centre eye only.

When the Quadpod is used above a one person load then this is not classed as PPE and therefore does not fall under the PPE Regulation 2016/425.

Design

The Quadpod was designed specifically for technical rescue. It is far more adaptable than a normal tripod in the industrial environment. It enables the user to access many areas a tripod or other devices cannot. We strongly advise the user to be trained in its many uses and learn about its physical strengths and weaknesses.

Use

The Quadpod has been designed as a removable elevated anchor point as shown in the positions below. The positions and the working load limits must be followed at all times to be compliant to the standards list above.

The Quadpod should be assembled by a competent person or organisation.

The Quadpod should only be used for personal fall protection equipment and not for lifting equipment.

When the Quadpod is used as part of a fall arrest system then the user must use a device that will limit the impact force to 6kN.

Weights must be taken into consideration or calculated before the Quadpod is used.

During normal operating conditions and under the guidelines set out in this user guide, there will be no deflection or deformation.

Consideration to the surface the Quadpod will be used on must be taken into account, for example: Can the ground take the loading that will be applied and is the ground uneven? The feet must be as flat as possible on the ground, failure to check may result in dramatically lower working load limits.

The Quadpod can also be used in many other positions which are described further on.

The Quadpod can be used as an anchor in the following recommended modes conforming to the standards above:

1. Standard pyramid, Short front legs, long back legs, short back legs, long front legs as in diagrams A, B & C.

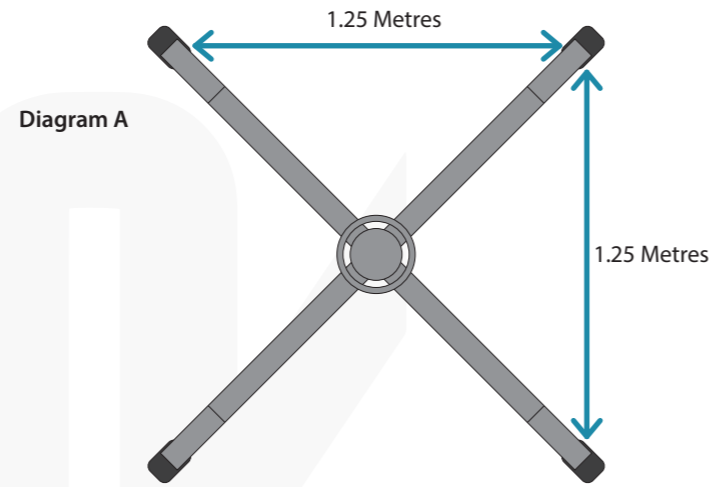


Diagram A

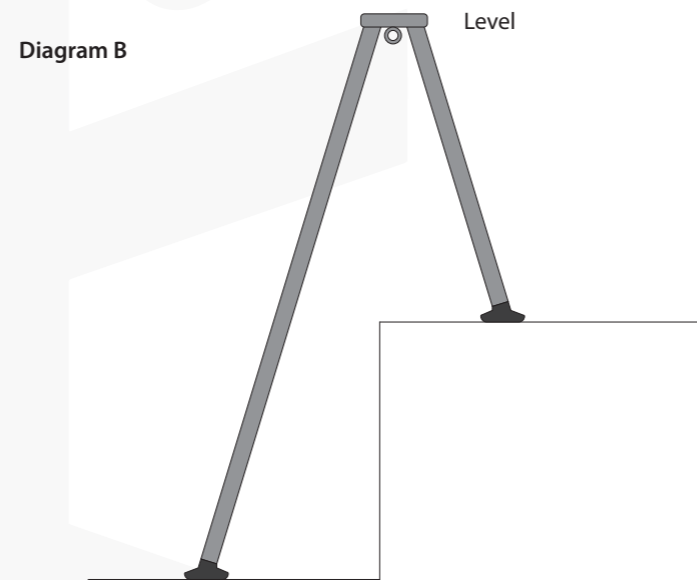


Diagram B



Diagram C

Working load limits of the Quadpod

The working load limit refers to the total load limit the Quadpod can be used with in diagrams A, B & C.

The working load limit for a static load used with the Quadpod is 400Kg.

Where dynamic loads are to be used, please refer to the standard and the part of the Quadpod that has been tested for these loads.

1. CE 0120, EN795:2012 Type B for a one person (100Kg) load centre eye and outside ring.
2. CEN/TS 16415:2013 Type B for a 2 person (200Kg) load outer ring only.
3. CEN/TS 16415:2013 Type B for a 4 person (400Kg) load centre eye only.

Breaking load limits

For a single person load EN797:2012 the minimum breaking strength is 12kN. The centre eye meets these requirements when used in the positions in diagrams A, B & C.

For a 2 person load CEN/TS 16415/2013 the minimum breaking strength is 13kN. The outer ring meets these requirements when used in the positions in diagrams A, B & C.

For a 4 person load CEN/TS 16415/2013 the minimum breaking strength is 15kN. The centre eye only meets these requirements when used in the positions in diagrams A, B & C.

Assembling the Quadpod

The quadpod must be assembled in a safe area before use. It is the responsibility of the user to ensure their own safety when doing so.

Inspection and Maintenance

- Before and after every use.
 - Check all the locking nuts are secure.
 - All retaining pins are in place.
 - Ensure the eye bolt at the head of the Quadpod is free of dirt and free in movement.
 - Check the rubber feet are free from defects.
- After use wipe down any excess moisture and coat pins and bolts in light machine oil wiping away any excess oil.

Maintenance and inspections should only be carried out by a competent person at least every 6 months.

Warning

Always remain within the foot print of the Quadpod when set up as a removable anchor point and always remain below the anchor point, this will minimise a pendulum fall onto the anchor point which could potentially make the Quadpod unstable.

The Quadpod adjustable webbing leg straps must be used at all times.

Setting up the Quadpod

1. Set the Quadpod up as required.
2. Adjust the legs to the correct height and width and lock the legs into position using the eye bolt pins. Ensure as to not catch the fingers when doing so and always place the R clip in to the end of the pins.
3. Connect the Quadpod adjuster buckles between the legs, These need to be clipped into the small U bolts at the bottom of the legs and must be used at all times.
4. Pull the strap through buckle as in figure 1.
5. Press inner buckle clamp to release in figure 2.

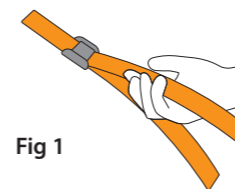


Fig 1

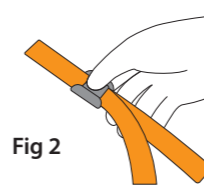


Fig 2

6. When using the Quadpod as a standard pyramid as in diagrams A, B & C always use the centre eye when possible.

Specifications

Materials & Coatings:

- Legs: Aluminium powder coated.
- Head: Stainless steel powder coated.
- Bolts & Pins: Stn. steel, Mild steel, Nickel plated
- Straps: Polyester webbing.

Weight

- Quadpod only: 12.8Kg
- Leg Securing Straps: 1Kg
- Storage Bag: 0.5Kg

Meanings Of Markings

- The name, trademark or any other means of identification provided by the manufacturer or supplier.
- The batch or serial number
- The year of manufacture
- CE... EC logo followed by the number of the notified body
- EN... European standard attributed to this PPE
- Product description and/or reference
- Evaluation of capacity in Kg

Notified body: SGS FIMKO OY, Takomotie 8, FI-00380 Helsinki, Finland.
Notified Body No: 0598

The Quadpod can be used in other positions as shown below.

The positions show below do not fall under the test requirements of the above standards and careful consideration and calculations of loads must be taken into account by the users before carrying out any tasks.

1. Offset pyramid
2. Half pyramid
3. Overhanging



Settings 1, 2, & 3 do not fall under the test requirements for EN795 and CEN/TS 16415. Option 3 & 4 positions must be anchored and the anchors strong enough to conform to the standard 15kN.

1. The offset pyramid is best for tensioned cable lines using the central connecting eye for your pulley. The reason for this is the force down should be central to the Quadpod when you dissect the angle. Another pulley can be fitted under the cable pulley or pulleys for the hauling.
2. When using the half pyramid or overhang setting for cliff or edge rescue, you should use the front outer ring connecting point. By fitting a Dee Mallion to the ring, then a karabiner for the pulley or a Delta Mallion for twin pulleys. The angle of the load will be central to the Quadpod and there should be no need to fasten down to secure the legs. In these positions you MUST use a back securing rope from a firm anchor to the top back outer ring prior to load being put onto the system.

When using a guide rope all connectors must conform to EN362. A guide rope should only be connected to the outer ring and no other part of the Quadpod.

SAR Products do recommend training on using the Quadpod.

Product Record

This documentation should be issued with and kept for each item or system. Please see the product label for the details required below. Consult this guide for advice on inspection, maintenance, lifespan, etc.

User's Name:			
Date Of Manufacture:		Date Of Purchase:	
Date First Used:		Product Serial No.:	
Inspection Record			
Date	Reason for entry: Periodic examination or repair	Name of Inspector	Next date of Inspection

Declaration Of Conformity

The EU Declaration of conformity is available by scanning the QR code or visiting - www.sar-products.com/eu-doc/



Specialist Access & Rescue
Products Ltd.

General User Instructions

General

User Instructions

WARNING

Do not use this product without having read carefully and understood these general instructions for use. For complete information the user shall also read and understand the SPECIFIC INSTRUCTIONS for the actual product.

Climbing or Working at height is hazardous. It is the user's responsibility to ensure understanding of the correct and safe use of this equipment, to use it only for the purposes for which it is designed and to practise all proper safety procedures. It is advised that a rescue plan is put into place before using this equipment. The product must not be used outside of its limitations other than those described in the user guide. These are examples and there could be many more. Failure to follow these examples could lead to death or injury.

SAR Products Ltd are not responsible for any consequences, whether indirect or direct or accidental, resulting from the use of its products. If you are unsure and need advice about the correct use please contact us.

Who should use this equipment:

This equipment should only be used by a competent person or a person specifically trained in its use who is under the direct supervision of a competent person. If unsure, seek professional training from a fully qualified and competent instructor prior to engaging in any activity. You are responsible for your own actions. These instructions do not replace the need for professional training.

General

SAR equipment and components for prevention of falls from height meet or exceed recognised European or other International standards. It is the users' responsibility to read and understand these instructions before use. If this product is sold outside of the original country of sale, it is the reseller's responsibility to supply this document in the language of re-sale. It is mandatory that a Risk Assessment be carried out prior to any use and a rescue plan be in place for any work at height. Always ensure that all components within a safety system are compatible and comply to the relevant standards and allow the system to function safely. It is recommended that the viability of any installation should be verified by a suitably qualified/competent person. If there is any doubt about the compatibility of the products you have chosen please consult the manufacturer. Do not exceed loads either specified by the manufacturer or loads derived from the specified MBS/WLL using a recognised factor of safety.

Use Requirements

It is the user's responsibility to ensure understanding of the correct safe use of this equipment, to use it only for the purposes for which it is designed, and to practise all proper safety procedures. Extreme care should be taken when using this product near harmful chemicals, moving machinery, electrical hazards or near sharp edges and abrasive surfaces. Wet and icy conditions may cause rope or webbing to become slippery. The manufacturer or distributor will not be held responsible for the eventual damages, injuries or death resulting from an improper use of this product.

Maintenance/Cleaning

Always keep the product clean and dry. Any excess moisture should be removed with a clean cloth and then allowed to dry naturally in a warm room away from direct heat.

Webbing

Rinse in clean cold water. If still soiled wash in clean warm water (max.40°C) with pure soap or a mild detergent (within pH range of 5.5 to 8.5) You can use a washing machine but first place the product in a suitable bag to protect against mechanical damage. Dry in a well aired area. NOT IN DIRECT SUNLIGHT OR WITH HEATERS.

Metal parts

The product may be cleaned regularly (or after every use in a marine environment) with a mild detergent. Afterwards the product should be allowed to dry naturally. Moving parts may be oiled regularly with a light oil. Make sure that lubricants do not come into contact with parts that rely on friction with rope and/or with textile components.

Inspection

Before each use visually inspect to ensure the product is in a serviceable condition and operates correctly. An examination should be carried out at least every 6 months by a competent person or organisation authorised by the manufacturer. These inspections should be recorded paying particular attention to areas of potentially high wear such as attachment points, buckles, connectors and sewn joints. Inspect as follows:

Textiles: Check for cuts, tears, and abrasions, damage due to deterioration, contact with heat, alkalis or other corrosives.

Sewing: Check for broken, cut or worn threads.

Metal: Check for cracks, distortion, corrosion, wear by abrasion, burrs, worn or loose rivets or screws, discolouration caused by extreme heat (greater than 100° C) broken springs, frays or cuts, seizure of moving parts, broken or missing components.

Immediately withdraw from service any items showing defects or that it has arrested a fall and the product should not be used again until confirmed in writing by a competent person that it is acceptable to do so. The user's life depends on it. All repair work should be carried out by the manufacturer or with their authorisation. No alterations/modifications to the equipment must be made without the authorisation of the manufacturer.

Lifespan - Webbing

This is difficult to estimate but we advise as follows: Do not use more than ten years after the date of manufacture. Assuming you have used the correct storage. The working life can vary between a single use in extreme circumstances (e.g. highly chemical environment, serious fall) to the maximum of ten years from date of manufacture, depending on how the product is used. The working life will be reduced through age, general wear and tear, abrasion, cuts, damage to component parts, inappropriate ancillary equipment, high impact load, prolonged exposure to UV light including sunlight, elevated temperature (50° C max) exposure to some chemicals (e.g. alkalis, etc.) or failure to store and maintain as recommended. This list is not exhaustive.

Warning: The working life of this product may be as short as its first time use in extreme conditions.

Lifespan - Metal

It is difficult to estimate this but as a guide we advise as follows: Maximum life indefinite. However working life will be reduced through age, general wear & tear, damage to component parts, inappropriate ancillary equipment, high impact load, prolonged exposure to corrosive atmosphere or chemical agents or failure to store and maintain as recommended. This statement does not remove the need for users to check their items before and after every use, and retire the device if it is not in a satisfactory condition, or taken out of service by a competent person. This list is not exhaustive. Warning: the working life of this product may be as short as its first time use in extreme conditions.

Storage & Transportation

After cleaning, store unpacked in a cool, dry, dark place away from excessive heat sources or other possible causes of damage. Do not store wet. If a long shelf life is required it is advisable to store in a moisture proof package (e.g. polythene bag) or the bag it is supplied in. The product should be kept safe and free from damage during transportation to allow adequate protection of the product.

Meanings of Markings



The name, trademark or any other means of identification provided by the manufacturer or supplier.

XXXXXX

The batch or serial number

XX/XX

The month & year of manufacture

CEXXX

CE... EC logo followed by the number of the notified body

ENXXX:XXXX

EN... European standard attributed to this PPE



Pictogram informing the user to read the instructions