

EU Declaration of Conformity No. SAR/H018



Specialist Access & Rescue
Products Ltd.

This declaration of conformity is issued by Specialist Access & Rescue Products Ltd.
Of Sarena House, Vulcan Street, Oldham, OL1 4LQ

We hereby declare that:

Equipment: Riggers Belt, Work Positioning belt, Miners Belt, Helicopter Riggers Belt
Models: Rigging Belt with Cobra Dee, Rigging Belt with Tri Dee & Rigging Belt
with webbing eye, Miners Belt, Work Positioning Belt & Helicopter
Rigging Belt

is in conformity with PPE EU Regulations 2016/425, as well as the applicable requirements of
the following standards (where applicable)

Ref No.

EN358:2018

Notified body: SGS FIMKO OY, Takomotie 8, FI-00380 Helsinki, Finland.
Notified Body No: CE 0598

Performed the EU type examination and issued the EC type examination certificate number:

0598/PPE/22/2194

The PPE is subject to the conformity assessment procedure. Conformity to type Based on Quality
Assurance of the Production Process Module D. Under the surveillance of the above Notified Body.

Signed by:

Name: Lee Allport
Position: Operations Director
Done At: SAR Products - Sarena House, Vulcan Street, Oldham, OL1 4LQ
On: 10/02/22

UKCA Declaration of Conformity No. SAR/UK/H018



Specialist Access & Rescue
Products Ltd.

This declaration of conformity is issued by Specialist Access & Rescue Products Ltd.
Of Sarena House, Vulcan Street, Oldham, OL1 4LQ

We hereby declare that:

Equipment: Riggers Belt, Work Positioning belt, Miners Belt, Helicopter Riggers Belt
Models: Rigging Belt with Cobra Dee, Rigging Belt with Tri Dee & Rigging Belt
with webbing eye, Miners Belt, Work Positioning Belt & Helicopter
Rigging Belt

is in conformity with PPE EU Regulations 2016/425, as well as the applicable requirements of
the following standards (where applicable)

Ref No.

EN358:2018

Approved body: SGS United Kingdom Limited
Rossmore Business Park, Ellesmere Port, Cheshire, CH65 3EN

Approved Body No: UK
CA 0120

Performed the EU type examination and issued the EC type examination certificate number:

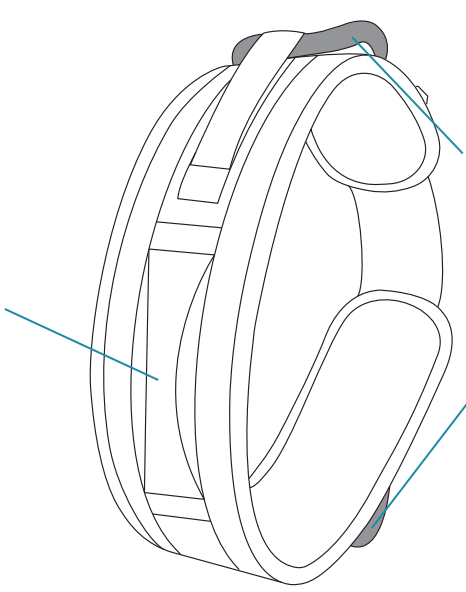
0120/PPE/220088

The PPE is subject to the conformity assessment procedure. Conformity to type Based on Quality
Assurance of the Production Process Module D. Under the surveillance of the above Notified Body.

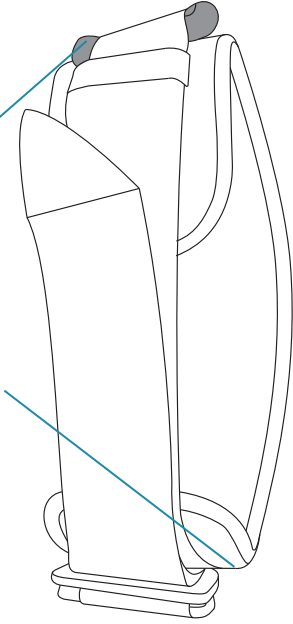
Signed by:

Name: Lee Allport
Position: Operations Director
Done At: SAR Products - Sarena House, Vulcan Street, Oldham, OL1 4LQ
On: 10/02/22

Attachment Point (EN358):
Only use connectors conforming to EN362



Attachment Point (EN358):
Only use connectors conforming to EN362



Work Positioning Belt:

Product Record

This documentation should be issued with and kept for each item or system. Please see the product label for the details required below. Consult this guide for advice on inspection, maintenance, lifespan, etc.

Owner / User's Name:	
Date of Manufacture:	Date of Purchase:
Date of First Used:	Product Serial No.:

Inspection & Maintenance Record

Date & Time	Type of Inspection & Comments	Name & Signature of Inspector	Next Inspection Due

Declaration Of Conformity

The EU Declaration of conformity is available by scanning the QR code or visiting - www.sar-products.com/eu-doc/



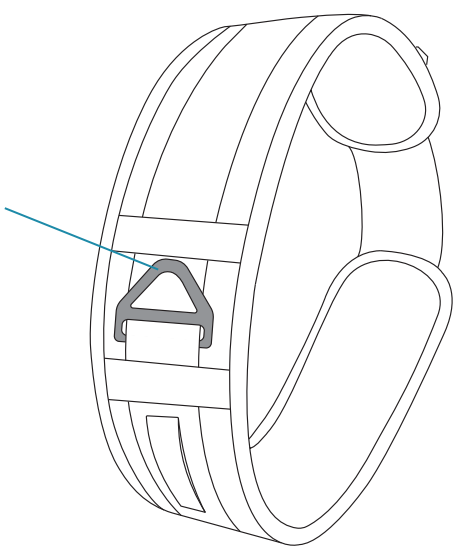
Certificate Of Conformity

We certify that the Work Positioning Belt, Riggers Belts, Miners Belt & Helicopter Rigging Belt conforms to EN358:2018 & are rated to 150kg.

Signature For SAR Products Ltd

Specialist Access & Rescue Products Ltd.
Sarena House, Vulcan Street, Oldham, OL1 4LQ
+44 (0)161 621 0309 | sales@sar-products.com | www.sar-products.com

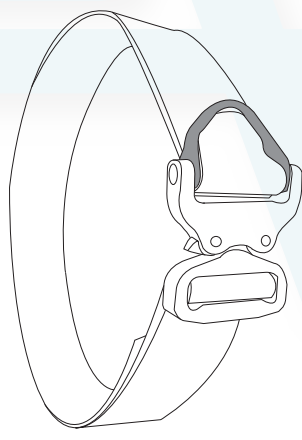
Attachment Point (EN358):
Only use connectors conforming to EN362



Helicopter Riggers Belt:



User Guide Riggers Belts, Miners Belt Work Positioning Belt & Helicopter Rigging Belt



Conforms to:
EN358:2018

Belt	Riggers Belt	Miners Belt	Work P. Belt	Helicopter Riggers Belt
Size	Small	Medium	Large	Standard

**UK
CA**
0120 CE0598

sar-products.com
+44 (0)161 621 0309
sales@sar-products.com

Important

Please read, study and understand these instructions before use.
THE MATERIALS USED IN THIS PRODUCT ARE HIGH SPEC POLYESTER.

Use

Our Rigger's Belt's, Miners belts and Work positioning belts have been designed for restraint and are not to be used for fall arrest purposes.

Note: The information in this guide is in conformity with PPE EU Regulations 2016/425. It is not comprehensive and cannot be substituted for the correct training, which can be provided if required. If in any doubt please don't hesitate to contact us

Safety:

The safety provided by these products is dependent on their strength, the anchor point & the correct fitting of the product. The strength will be reduced through age, wear and tear, abrasion, cuts, high impact loads, tight/sharp edges, knots, some chemical (e.g. alkalis, etc.), UV or failure to store and maintain as recommended. Use only as instructed and with compatible items of equipment. Check that the safe function of any one component within a system will not interfere with the safe function of another. Twists in webbing can cause problems and weakness in other components such as karabiners. Neatness is strength. Users should be trained, competent or under the supervision of such a person. This list is not exhaustive. Do not alter the product in any way. Any product subjected to a minor fall should be examined and discarded if there is any sign of defect or any doubts about its safety. The belts should not be used if there is a foreseeable risk of the user becoming suspended or exposed to unintended tension by the waist belt. The belts have been designed for support therefore it is essential to consider the need of using a back-up, e.g. a fall arrest system. An efficient rescue plan should be in place before the use of any of the belts.

Lifespan

This is difficult to estimate but we advise as follows: Do not use more than ten years after the date of manufacture. Assuming you have used the correct storage. The working life can vary between a single use in extreme circumstances (e.g. highly chemical environment, serious fall), depending on how the product is used. The working life will be reduced through age, general wear and tear, abrasion, cuts, damage to component parts, inappropriate ancillary equipment, high impact load, prolonged exposure to UV light including sunlight, elevated temperature (50° C max) exposure to some chemicals (e.g. alkalis, etc.) or failure to store and maintain as recommended. This list is not exhaustive.

Inspection

Before each use, conduct a visual inspection and function test to ensure the product is in serviceable condition and operates correctly. A periodic examination should be carried out at by a competent person at least every 12 months. These inspections should be recorded, paying particular attention to areas of potentially high wear such as attachment points, textiles, cams, bearings, etc. In the UK, the frequency of periodic inspection should be at least every 6 months; it is the user's responsibility to ensure they comply with the guidance for inspection in their own country or region.

Textiles: Check for cuts, tears & abrasions, damage due to deterioration, contact with heat, alkalis or other corrosives, label legibility.

Stitching: Check for broken, cut, loose or worn threads.

Metals: Check for cracks, distortion, corrosion, wear by abrasion, burrs, worn or loose rivets or screws, discolouration caused by extreme heat (greater than 100° C) broken springs, seizure of moving parts, broken or missing components, marking legibility.

Immediately withdraw from service any items showing defects. Any repairs must be carried out by the manufacturer or their authorised agent

Anchorage

Anchor points should always be strong enough to hold the user, particularly in the event of a fall. They should be at least 15kN. A webbing lanyard or rope should be effectively sleeved to protect against damage if structural members with sharp edges cannot be avoided as anchorage points.

Anchor points, wherever possible, should be above the user to limit any fall. In rescue any possibility of a fall should be eliminated from the systems.

Maintenance:

Always keep the product clean and dry. Any excess moisture should be removed with a clean cloth and then allowed to dry naturally in a warm room away from direct heat.

Cleaning:

Rinse in clean cold water. If still soiled, wash in clean warm water (max.40°C) with pure soap or a mild detergent (within pH range of 5.5 to 8.5) You can use a washing machine but first place the product in a suitable bag to protect against mechanical damage. Rinse properly in clean cold water.

Chemicals

Avoid contact with any chemicals which could affect the performance of the product. If contact occurs or is suspected then discard the product immediately. If used in a marine environment thoroughly rinse in clean cold water and dry after each use.

Storage

After cleaning, store unpacked in a cool, dry, dark place away from excessive heat sources or other possible causes of damage. Do not store wet. If a long shelf life is required it is advisable to store in a moisture proof package (e.g. polythene bag)

Warning

Working at height is hazardous. The belts are not suitable for fall arrest purposes. It is the user's responsibility to ensure understanding of the correct and safe use of this equipment, to use it only for the purposes for which it is designed and to practise all proper safety procedures. Lanyards when used in conjunction with a belt be maintained at or above waist level and be kept taut; and free from movement is restricted to a maximum of 0,6 m.

Markings

- The name, trademark or any other means of identification provided by the manufacturer or supplier
- The batch or serial number
- The date of manufacture (DoM)
- Product description and/or reference
- The British &/or EN standard(s) to which the item conforms
- Waist size in CM
- Strength rating in kN
- Maximum working length
- UKCA &/or CE mark with approved &/or notified body number

Strengths quoted are when the product is tested new and are in accordance with the manufacturer's test methods or to the appropriate standard. Any weights and measurements are within the standards' specified tolerances.

Notified body

SGS FIMKO OY, Takomotie 8, FI-00380 Helsinki, Finland.
Notified Body No: 0598

Approved Body UKCA

SGS United Kingdom Limited - Rossmore Business Park, Ellesmere Port, Cheshire, CH65 3EN Approved Body No: 0120

Specifications

- Well-established, easy interlocking buckling system
- Laminated, high quality, sandwiched closed cell foam padding, Work positioning belts only.
- High quality polyester webbing
- Working Load Limit: 150kg

Riggers belts waist sizes

- Small 66cm to 82cm
- Medium 76cm to 92cm
- Large 97cm to 112cm

Work position belt and helicopter belt waist size

- Standard size 76cm to 92cm

Miners belt size

- Standard size 71cm to 147cm

It is essential for the safety of the user that if the product is re-sold outside the original country of destination the reseller shall provide instructions for use, for maintenance, for periodic examination and for repair in the language of the country in which the product is to be used.

Nothing in this document affects the consumer's statutory rights.

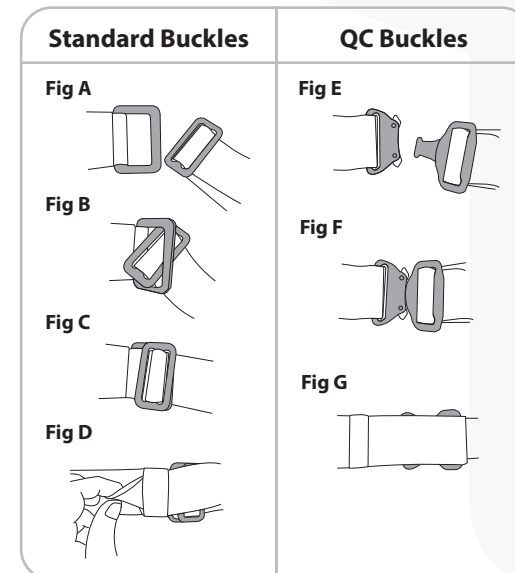
Fitting:

Standard fitting as shown in Figs: A - D.

QC buckle fitting as shown in Figs: D - G

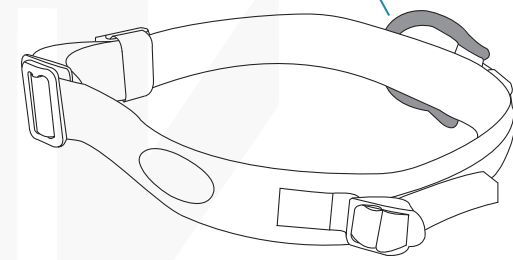
Once buckled, secure velcro strap back onto the belt or fold the tail end back through the elastic webbing retainer.

Please ensure that the belt fits firmly to the user's waist & ensure that the belt remains fitting firmly during use.

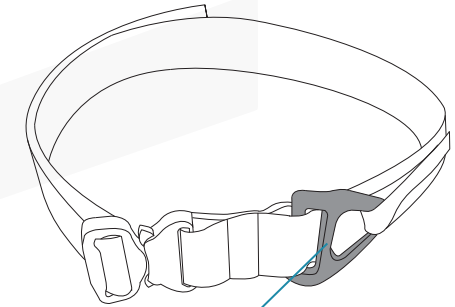


Miners Belt

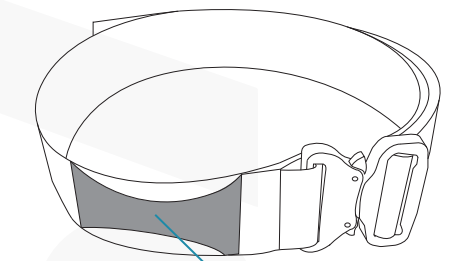
Attachment Point (EN358):
Only use connectors conforming to EN362



Riggers Belts



Attachment Point (EN358):
Only use connectors conforming to EN362



Attachment Point (EN358):
Only use connectors conforming to EN362

